

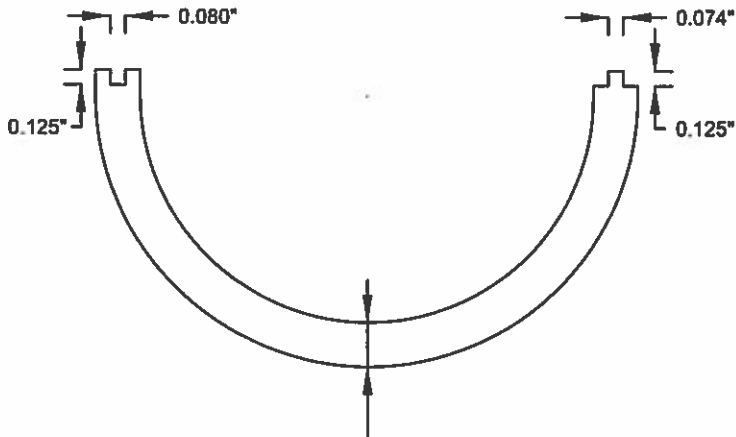
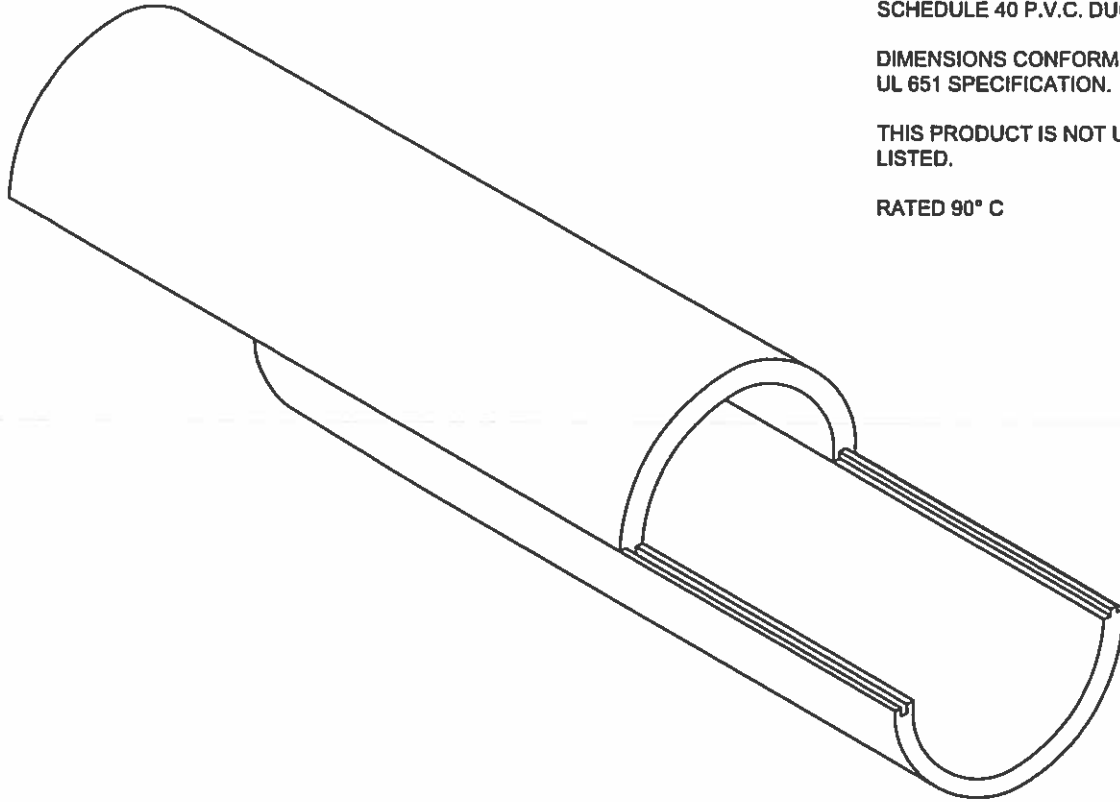
**SPLIT DUCT (LOCKING TONGUE & GROOVE)
10 FT. LENGTHS**

SPLIT DUCT IS USED TO COVER EXISTING UNDERGROUND CABLES OR REPAIRING DAMAGED DUCT WITHOUT CUTTING OR RESPLICING EXISTING CABLES. MADE OF SCHEDULE 40 P.V.C. DUCT.

DIMENSIONS CONFORM TO UL 651 SPECIFICATION.

THIS PRODUCT IS NOT UL LISTED.

RATED 90° C



MINIMUM WALL THICKNESSES

3" D.B.	0.216"
4" D.B.	0.237"
5" D.B.	0.258"
6" D.B.	0.280"

PROVIDE BAND CLAMPS OR STRAPS TO SECURE DUCT IN PLACE.

PROVIDE PVC CEMENT AT ALL JOINTS TO INSURE A SEALED, STABLE UNIT.

OFFSET JOINTS LONGITUDINALLY TO PRODUCE A RIGID, STABLE UNIT.

PROVIDE ALL NECESSARY COUPLINGS, SWEEPS, AND ADAPTERS ASSOCIATED WITH THIS PRODUCT.



APPROVED:
Brunel D. White
CHIEF, TRANSPORTATION ENGINEERING
AND CONSTRUCTION DIVISION
Frank J. Murphy
DIRECTOR, DEPARTMENT OF TRANSPORTATION

**CITY OF BALTIMORE
DEPARTMENT OF TRANSPORTATION
CONDUIT SECTION**

SPLIT DUCT

ISSUED	REVISED	REVISED
2 / 2017		

**STANDARD NO.
BC 802.03-4**

SCALE: NONE SHEET 4 OF 4